



LAVARE

LAUNDRY ROOM SOLUTIONS



ELEMENTI



LAVARE

No one wants to spend their day washing clothes. That's why the Elementi LAVARE range of freestanding laundry tubs has been designed with a number of special features and storage solutions to make doing laundry easier. They also come with a choice of door and drawer options to suit your requirements, and a more compact design that's perfect for smaller spaces.

Backed by an extensive lifetime warranty on the stainless steel bowl and a 5-year warranty on the cabinet and tapware, these practical and stylish tubs not only look good, they're strong, durable and made to last.



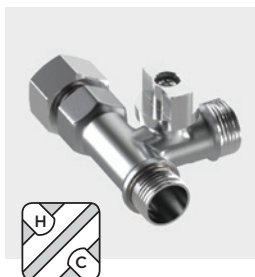
Lifetime Warranty
on Stainless Steel bowl



5 Year Warranty
on cabinet and tapware



	T350DO 350 WIDE	T560DOECO 560 WIDE	T560DO 560 WIDE	T560DRW 560 WIDE	T560DRWGN 560 WIDE
FEATURES					
WARRANTY - BOWL	LIFETIME	LIFETIME	LIFETIME	LIFETIME	LIFETIME
WARRANTY - CABINET, TAPWARE & PIPE WORK	5 YEARS	5 YEARS	5 YEARS	5 YEARS	5 YEARS
BOWL CAPACITY	14 L	30 L	30 L	30 L	30 L
SOFT CLOSE FULL HEIGHT DOOR	✓		✓		
SOFT CLOSE HINGES	✓		✓		
QUICK RELEASE REMOVABLE DOORS	✓		✓		
SOFT CLOSE DRAWERS				✓	✓
QUICK RELEASE REMOVABLE DRAWERS				✓	✓
REVERSIBLE DOOR	✓	✓	✓		
DOUBLE SKINNED ADJUSTABLE DOOR	✓		✓		
DOUBLE SKINNED ADJUSTABLE DRAWER FRONTS				✓	✓
ADJUSTABLE FEET	✓	✓	✓	✓	✓
ALL PRESSURE MIXER - MIN 35KPA	✓	✓	✓	✓	
ALL PRESSURE GOOSENECK MIXER - MIN 35 KPA					✓
BOWL OVERFLOW & STRAINER WASTE	✓	✓	✓	✓	✓
PRESSED 304 GRADE STAINLESS STEEL BOWL	✓	✓	✓	✓	✓
2 X WASHING MACHINE CONNECTION VALVES	✓	✓	✓	✓	✓
SIDE APERTURES FOR WASHING MACHINE HOSES	✓	✓	✓	✓	✓
POWDER COATED GALVANISED STEEL CABINET	✓	✓	✓	✓	✓
MELTICA SHELF	✓	✓	✓		
BRUSHED NICKEL SOLID BAR HANDLE	✓		✓	✓	✓
STAINLESS STEEL BAR HANDLE		✓			
MAGNETIC DOOR CATCHES	✓	✓	✓		



Hot and cold 3 way valves

- Effortlessly connects to your water supply and washing machine hoses
- 15mm female water connection (water in)
- 20mm male thread for washing machine connection (water out to washing machine)
- 15mm male tap connection (water out to tap)



All pressure WELS rated laundry mixer

- Features a centrally located all-pressure, swivel laundry mixer with 450mm hose tails - minimum 35kPa



Pressed seamless stainless steel bowl

- Made of durable 0.8mm thick 304 grade stainless steel
- 20mm upstand stops water splashing behind the tub
- The Upstand is also ideal for tiling down on
- Comes with an overflow and strainer waste to trap debris



Easy grip metal bar handle

- The brushed nickel handle is stylish, durable and easy to grasp
- Stainless steel handle for T560DOECO



Powder coated galvanised cabinet

- The hardwearing powder-coated galvanised steel cabinet comes with a 5-year warranty
- Automated spot weld assembly for a more professional finish



Side hose ports and pipework

- With outlets on both sides of the tub, the side hose ports and pipework (included) can be connected on either side to suit your laundry configuration
- An outlet cover is included to cover side not in use



Adjustable levelling feet

- The unit can be easily raised or lowered to suit your needs
- 15mm adjustment (tub height 905 to 920mm)



Full double skinned door/drawer fronts

- A double layer of powder-coated steel provides excellent durability and increased rigidity



Wooden internal shelf

- Door models come complete with a wooden internal shelf
- Maximum weight 20kg



Soft-close doors and drawers

- Featuring fully adjustable soft-close door hinges and drawer runners
- Drawers and doors can be easily removed for cleaning
- The door opening can be reversed to suit your space



LAVARE

ECO DOOR MODEL

T560DOECO

560W X 560D X 905H

ECO DOOR

WITH LAUNDRY

SWIVEL MIXER

\$669



FULL DOOR MODELS

T350DO

350W X 560D X 905H

FULL DOOR

WITH LAUNDRY

SWIVEL MIXER

\$699



T560DO

560W X 560D X 905H

FULL DOOR

WITH LAUNDRY

SWIVEL MIXER

\$699





LAVARE

DRAWER MODELS

T560DRW

560W X 560D X 905H
DOUBLE DRAWER
WITH LAUNDRY
SWIVEL MIXER
\$1069



T560DRWGN

560W X 560D X 905H
DOUBLE DRAWER
WITH LAUNDRY GOOSENECK
SWIVEL MIXER
\$1149



GLASS SHELVES

Add a stylish glass shelf to sit above your laundry tub - perfect for when you need everyday items within easy reach.

PROJECT GLASS SHELF

600MM
CHROME/GLASS:
60904.02
\$165



ELETECH GLASS SHELF

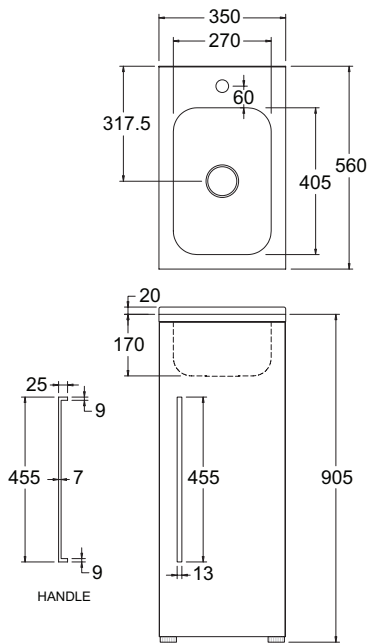
500MM
CHROME/GLASS:
60714.02
\$255



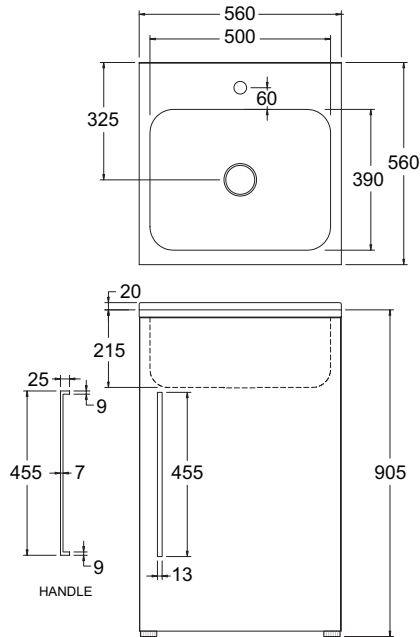


SPECIFICATIONS

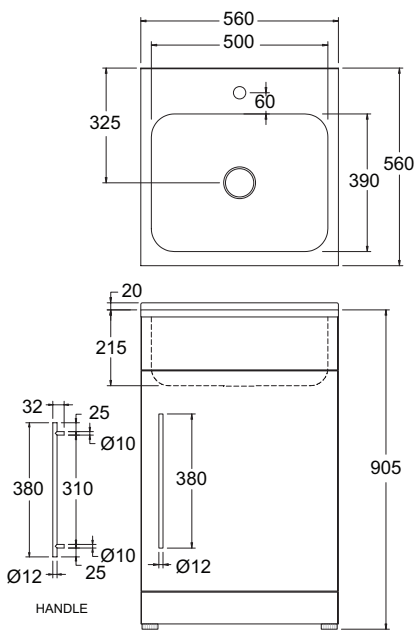
T350DO



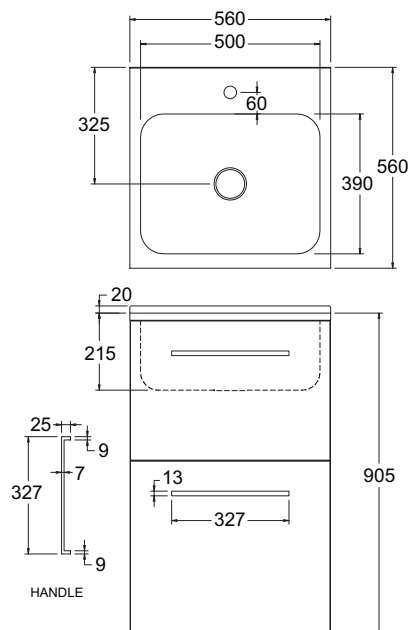
T560DO



T560DOECO



T560DRW / T560DRWGN

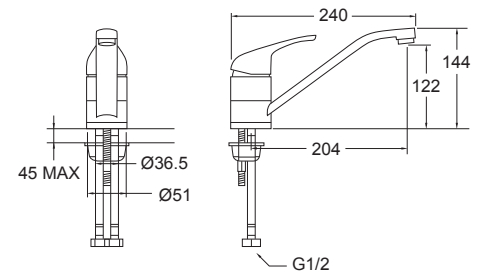


LAUNDRY SWIVEL MIXER

WELS LOW UNEQUAL 6.3L - 5 STAR
WELS MAINS 5.7L - 5 STAR

SPECIFICALLY DESIGNED FOR THE
LAUNDRY WITH 450 HOSE TAILS

INCLUDED WITH
T350DO, T560DOECO,
T560DO, T560DRW

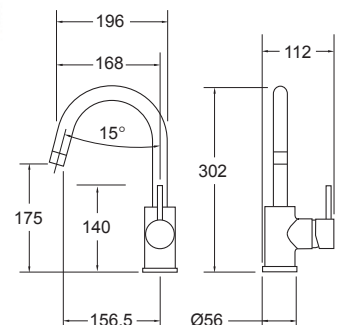


LAUNDRY GOOSENECK SWIVEL MIXER

WELS LOW UNEQUAL 6.3L - 5 STAR
WELS MAINS 5.7L - 5 STAR

SPECIFICALLY DESIGNED FOR THE
LAUNDRY WITH 450 HOSE TAILS

INCLUDED WITH T560DRWGN



ELEMENTI

Elementi is Robertson Bathware's own unique brand. Born from decades of experience, and inspired by the latest international design trends, Elementi is a synthesis of innovation and style.

Conceived to meet Robertson Bathware's uncompromising standards for quality, design and performance, Elementi offers a complete and affordable solution for New Zealand bathrooms.

Distributed by

robertson[®]
BATHWARE
— SINCE 1987 —

PH: +64 (0)9 573 0490

FAX: +64 (0)9 573 0495

EMAIL: sales@robertson.co.nz

AUCKLAND
25 Vestey Drive, Mt Wellington

WELLINGTON
23 Marion St, Te Aro

ROBERTSON.CO.NZ