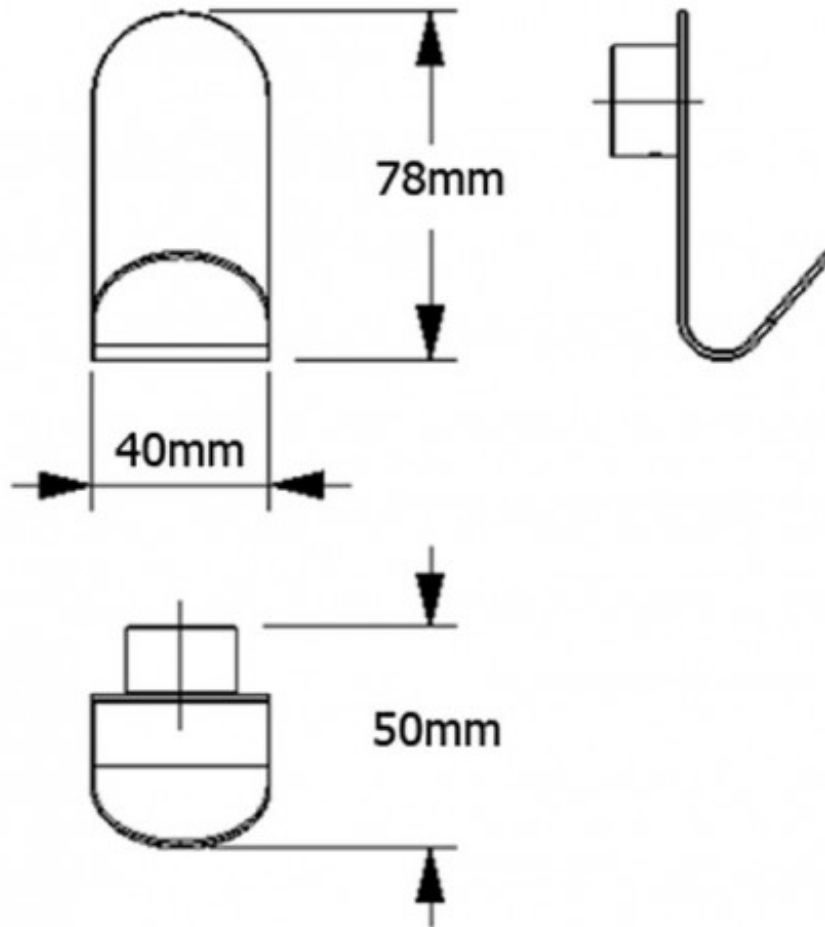


## S5 ROBE HOOK POLISHED STAINLESS STEEL

ELEMENTI

60531.02

\$95.00



Residential/Light Commercial

Suitable for Residential/Light Commercial Use (Kitchens, Bathrooms and Laundries in Motels, Hotels and Retirement Villages)



Guarantee

10 Year Guarantee



Powder Coating

BLACK: Epoxy powder coating. Cured at 200°. Coating thickness 50- 60 microns. 240 Hours salt spray tested (equivalent to 6 years corrosion resistance)



Galvanic Plating Process

CHROME: Galvanic plating process. Covering with 0,3 – 0,4 microns chrome average. Items are tested as per Norm En 246 with salt spray chamber – 240 hours (equivalent to 6 years)



Made in Spain



S5 accessory collection born to dress up those small spaces that provides life & usability to the bathroom. Key pieces created with the unique purpose of simplify and improve comfort. With a design inspired in the strength of the chain links, S5 is manufactured with pure raw materials, solid and sturdy. However, its appearance is soft and light.