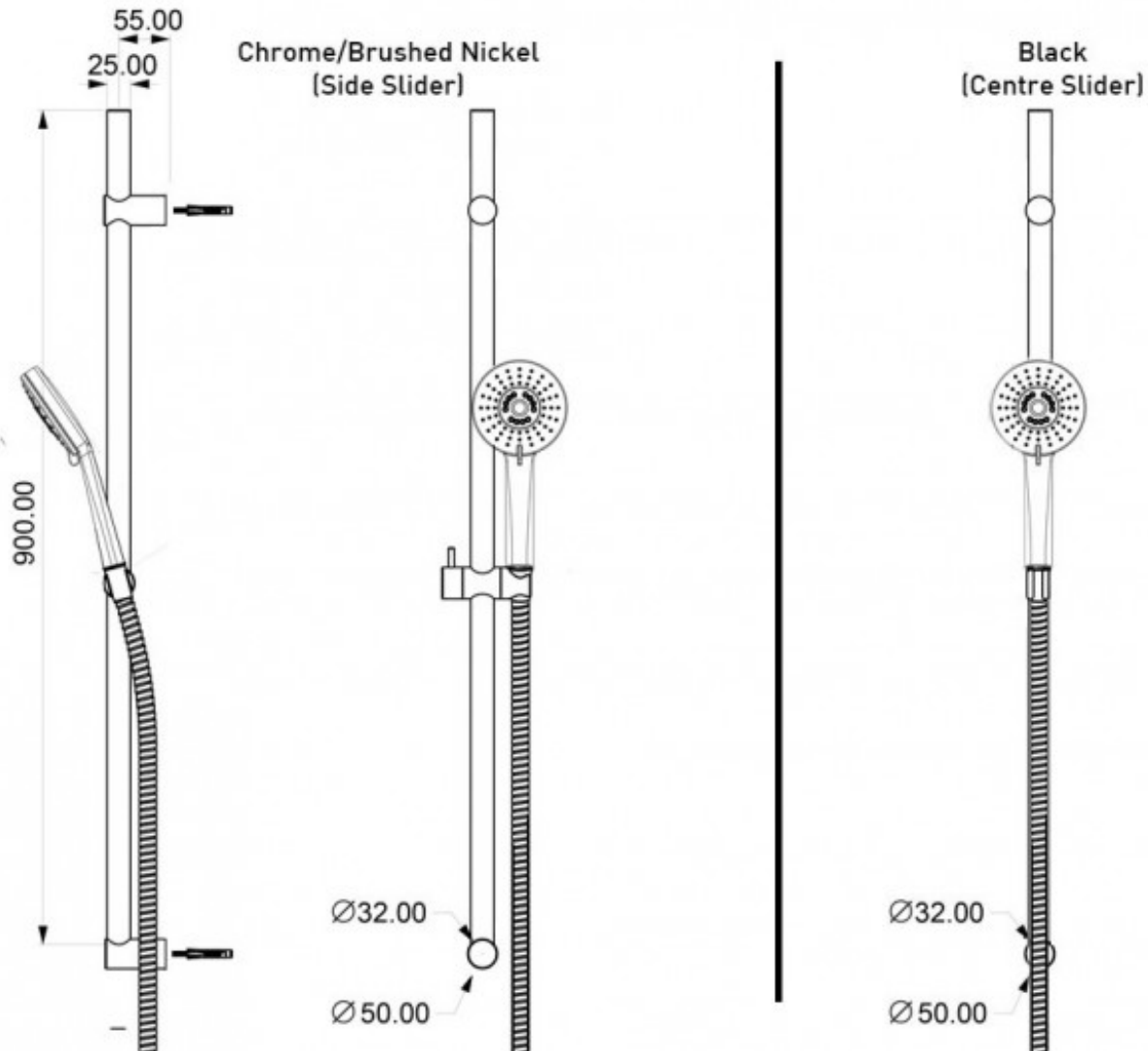






SPLASH SLIDE SHOWER 3 FCT C/W ELBOW CHROME

ELEMENTI

40232.02  
\$285.00



<b>2</b>	Guarantee	2 Year Guarantee on Non chrome finish
<b>5</b>	Guarantee	5 Year Guarantee
	3 Star WELS rating	More than 7.5 but not more than 9 litres per minute.
	Mains Pressure	Suitable for Mains Pressure.
	Residential/Light Commercial	Suitable for Residential/Light Commercial Use (Kitchens, Bathrooms and Laundries in Motels, Hotels and Retirement Villages)
	Aqua Air Technology	Air injected water offers a better showering experience using up to 50% less water. The air and water mix provides superb flow performance that is both soft and invigorating.





**Adjustable Fixation**

Ideal for renovations, many of our slide rails have adjustable fixings allowing you to fit existing fixings of the slide shower you are replacing.



**Hardened Durable Finish**

Black & Brushed Nickel Finishes involve a sprayed on Acrylic coating that is oven dried to produce the hardened durability finished product.



**Wall Elbow**

Water fed from separate elbow.



**Hand piece**

Includes Handpiece.



**Lever Slider**

CHROME/BRUSHED NICKEL. Single lever to adjust slider to adjust hand piece height.



**Centre Slider**

BLACK ONLY. Adjustment slider that allows hand piece to be positioned centre of rail (not offset).



**Aquabella Check Valve**

All Aquabella hand showers are fitted with a Neoperl Combined Check Valve and Flow Regulator – Neoperl Part Number 31.2015.1 in accordance with the New Zealand Building Code.



**Swiss Design**

For gorgeous design and clever engineering, look no further than the Splash collection of showerheads, slide and column showers, designed to complement any bathroom environment.