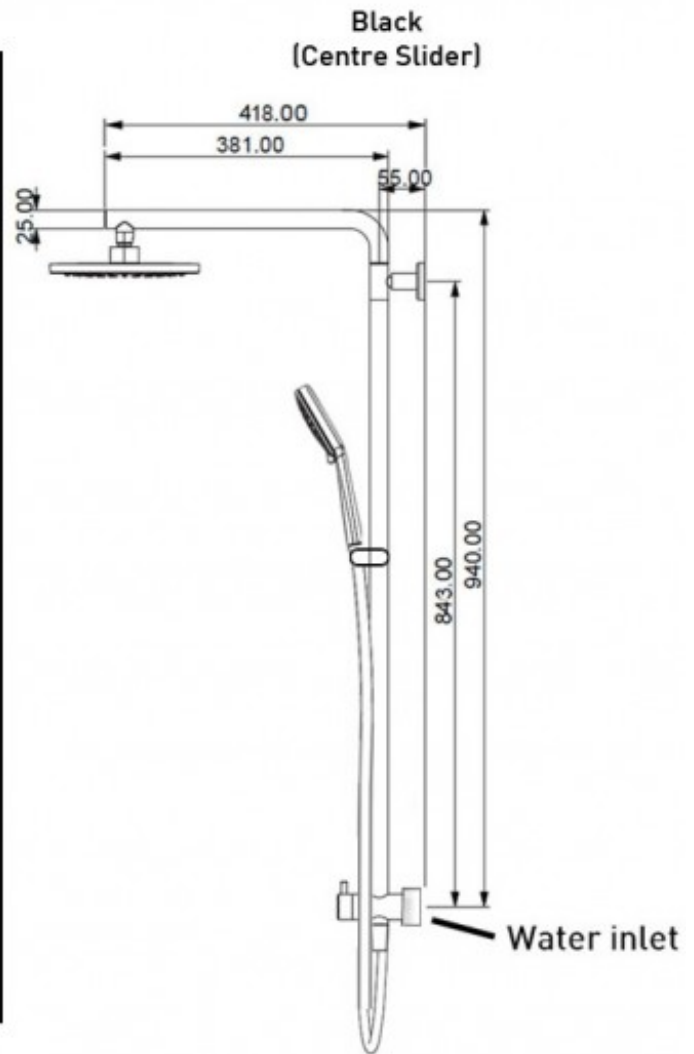
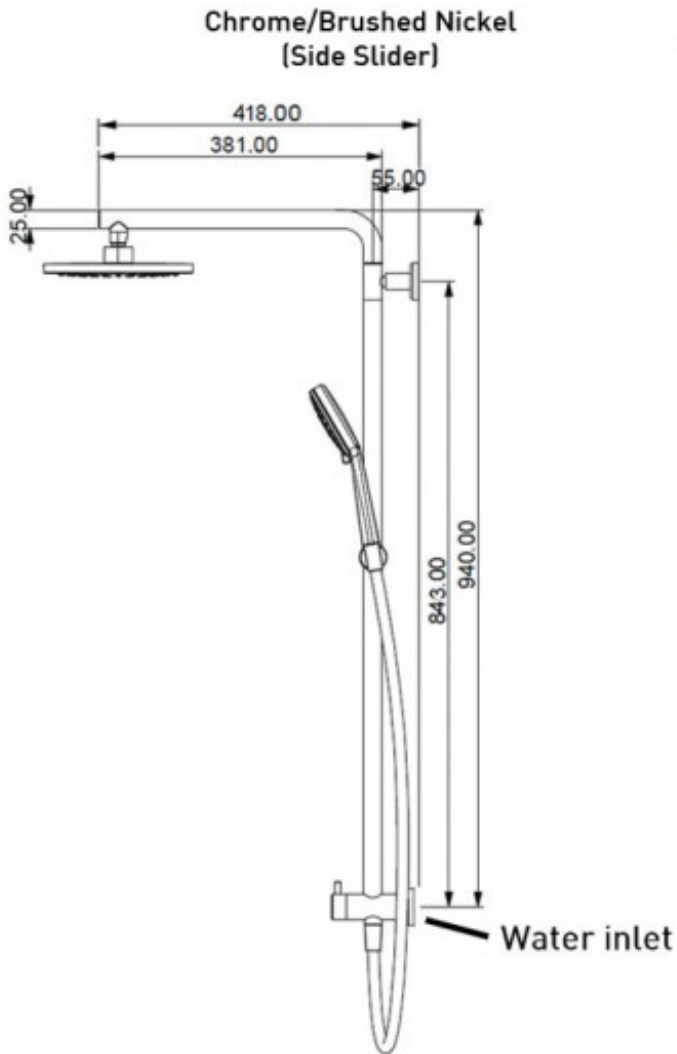






SPLASH 1 COLUMN SHOWER 3FCT CHROME

ELEMENTI

40230.02
\$795.00



2	Guarantee	2 Year Guarantee on non chrome finish
5	Guarantee	5 Year Guarantee
	3 Star WELS rating	More than 7.5 but not more than 9 litres per minute.
	Mains Pressure	Suitable for Mains Pressure.
	Residential/Light Commercial	Suitable for Residential/Light Commercial Use (Kitchens, Bathrooms and Laundries in Motels, Hotels and Retirement Villages)
	Aqua Air Technology	Air injected water offers a better showering experience using up to 50% less water. The air and water mix provides superb flow performance that is both soft and invigorating.





Hardened Durable Finish

Black & Brushed Nickel Finishes involve a sprayed on Acrylic coating that is oven dried to produce the hardened durability finished product.



Water Inlet

Bottom Water Inlet



Aquabella Check Valve

All Aquabella hand showers are fitted with a Neoperl Combined Check Valve and Flow Regulator – Neoperl Part Number 31.2015.1 in accordance with the New Zealand Building Code.



Swiss Design

For gorgeous design and clever engineering, look no further than the Splash collection of showerheads, slide and column showers, designed to complement any bathroom environment.